

Gillies Boundary Sewer Valve Kit

Technical Guide WW13

The Gillies Boundary Sewer Valve Kit is a three in one combination valve complete with PE ends and a service box designed for low pressure sewer boundary isolation.



03.22 | WASTEWATER | WW13 GILLIES BOUNDARY SEWERVALVE KIT

Applications

Low pressure sewer system
boundary connection

Product Attributes

Integral ball and check valve
Check valve fully serviceable in line
1 ¼" BSP flushing port
40mm OD PE pipe ends
Drip tight shut off
Corrosion resistant 316 SS (CF8M)

Quality Standards

Manufactured and tested according to ASME B16.34
Manufactured in facility with ISO 9001:2015
ISO 14001:2015 Quality Management Systems
Third party tested to AS4796:2016 in NATA certified facility

We are the supply partner of choice for New Zealand's civil construction industry, specialising in water and infrastructure based solutions.

The Gillies BSV provides a complete connection point for individual houses in a low-pressure sewer network.

Supplied as a single unit, the Gillies BSV kit contains a two-piece ball valve, soft seated check valve and integral flushing port, with PE pipe ends connected, all inside the service box, ready for installation.

With the check valve designed to be serviceable in line and the flanged two-piece ball valve body design, this valve provides serviceability without complete removal from the box.

Product Attributes

- With a short face to face dimension, this valve is easy to fit and made from robust, corrosion resistant CF8M stainless steel. (The cast equivalent of 316SS).
- Each factory tested valve has a square drive for the ball valve, complete with thumb lugs for easy hand operation if required. These lugs also clearly indicate when the valve is open or closed.
- The 1 ¼" (32mm) BSP flushing port offers easy access for flushing and is mounted on top of the separate check valve servicing flange. This port is sealed with an 'O'-ring for consistent performance.

Applications

- The Gillies Boundary Sewer Valve (BSV) is a three in one combination valve designed to be fitted to the PE pumped sewer discharge line at the point of connection between the property and the municipal sewer network system.

Note: Connections between the valve and the PE Line must be in accordance with the specification of the relevant local authority.



FIG. 1 Side, front and top view of the BSV

BSV Dimensions

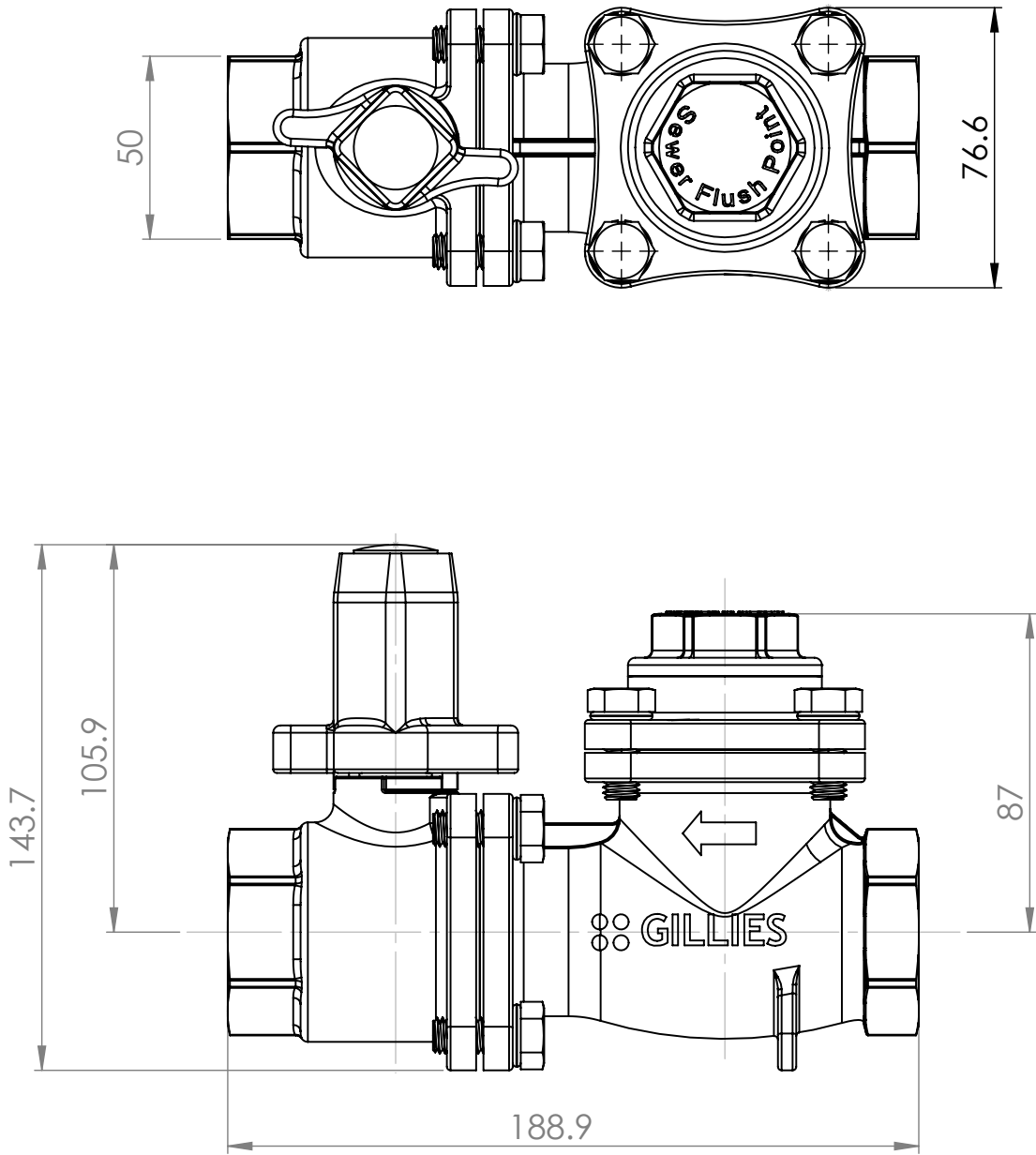


FIG. 2 BSV Dimensional Drawing

Kit Dimensions



TABLE 1 Dimensions

Box Length (mm)	Box Width (mm)	Box Height (mm)	Assembly Length (L) (mm)
Top - 444	Top - 288	230	920
Base - 508	Base - 353		

TABLE 2 Product Codes

Product Code	Description
BKIT32SS	Pressure Sewer Boundary Kit Complete w/Box & SS ends
BKIT32SSDBL	Pressure Sewer Boundary Kit Double Complete w/Box & SS ends
BKIT32PE	Pressure Sewer Boundary Kit Complete w/Box & PE ends
BKIT32PEDBL	Pressure Sewer Boundary Kit Double Complete w/Box & PE ends
FLUSHKITPSS	Flushing Kit for PSS Complete w/Box
FLUSHASSYPSS	Flushing Assembly Only for PSS- No box



FIG. 3 Flushing Assembly Kit

Branches Nationwide Support Office & Technical Services 0800 93 7473

Disclaimer: While every effort has been made to ensure that the information in this document is correct and accurate, users of Hynds product or information within this document must make their own assessment of suitability for their particular application. Product dimensions are nominal only, and should be verified if critical to a particular installation. No warranty is either expressed, implied, or statutory made by Hynds unless expressly stated in any sale and purchase agreement entered into between Hynds and the user.