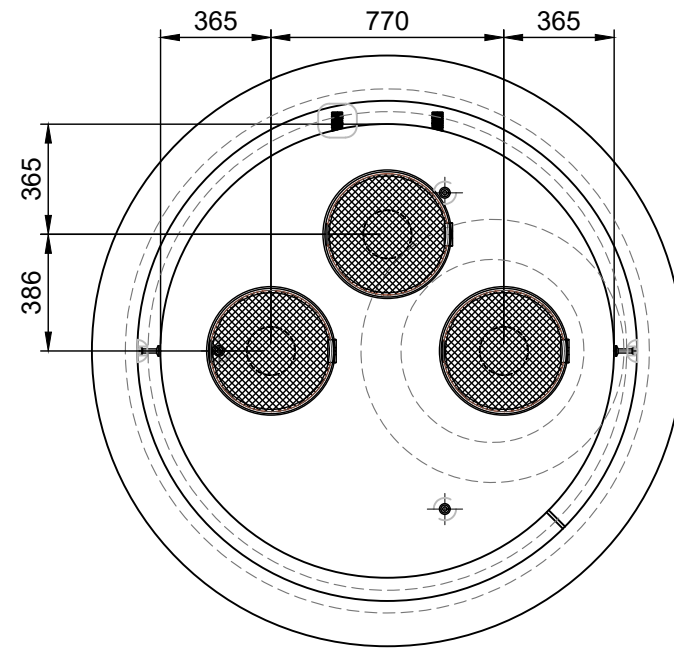
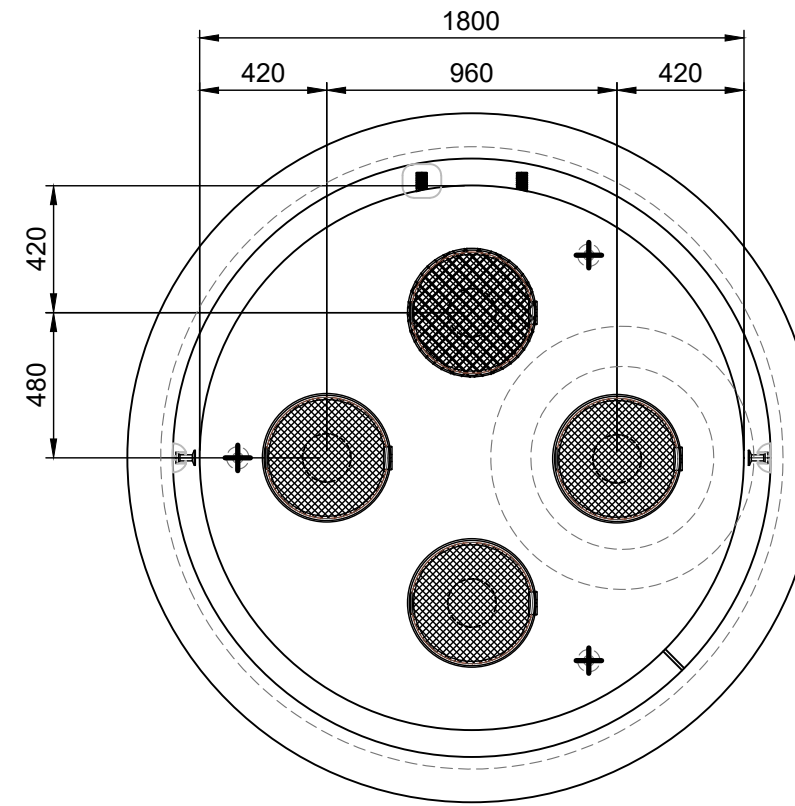


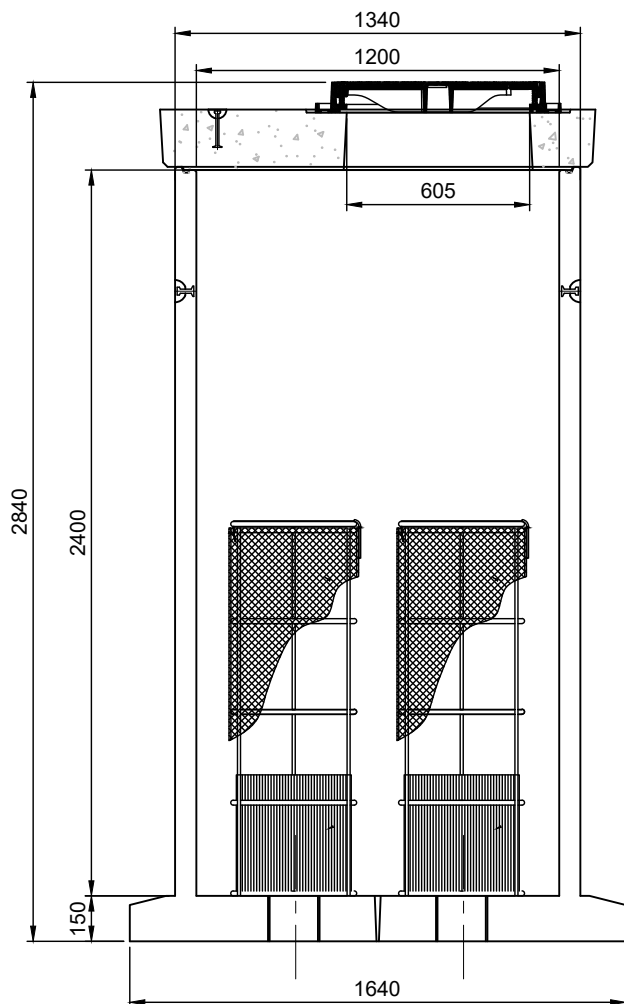
Plan



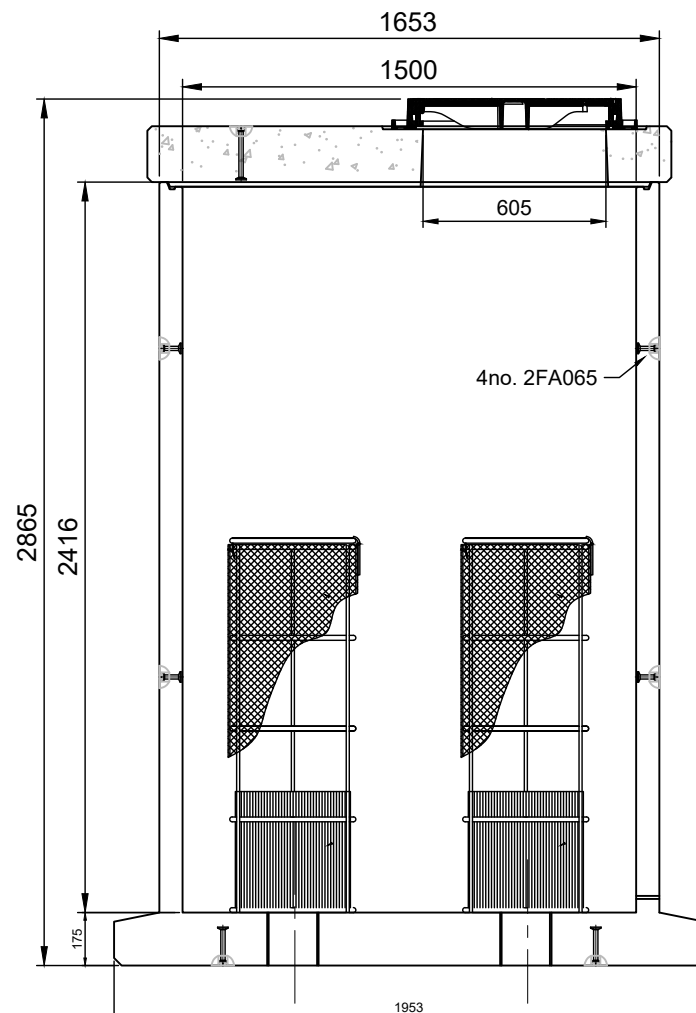
Plan



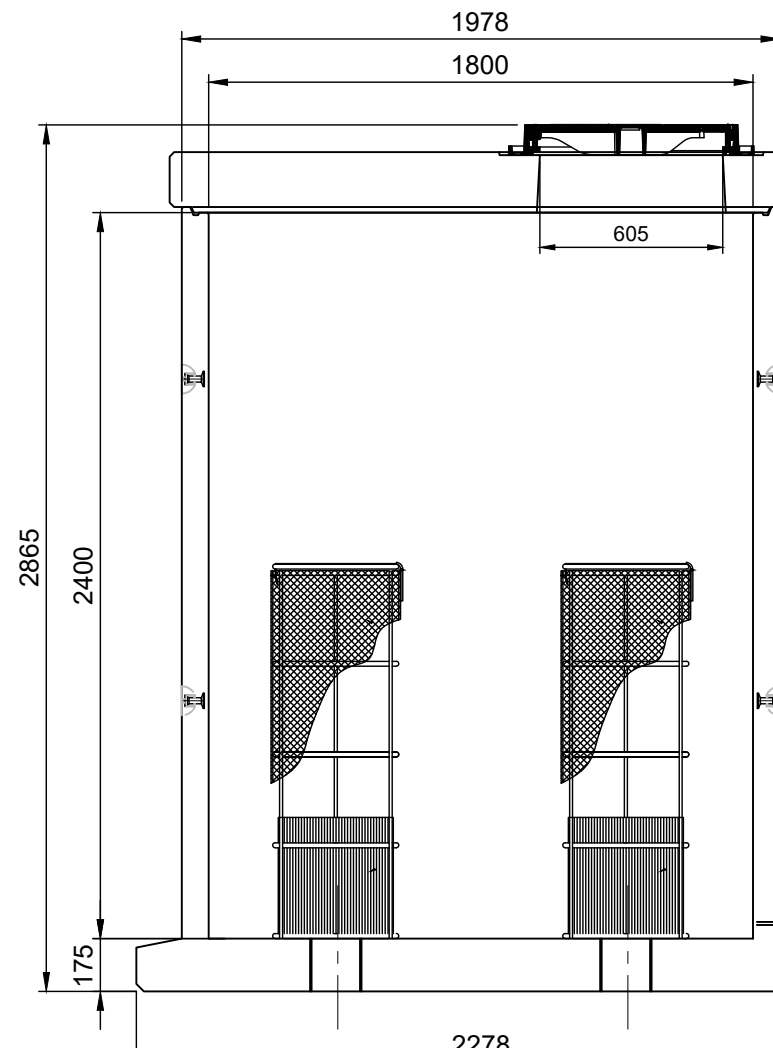
Plan



A Sectional Elevation



A Sectional Elevation



A Sectional Elevation

NOTES:

1. Design Load: HN-HO-72 (NZTA Load Criteria)
2. Design Life: 100 Years

MATERIALS

VOL (m³/unit) =

WT (ton/unit) =

CODE =

REVISIONS

REV #	REVISION DESCRIPTION:	DATE:	DRAWN:
A	Issued For Approval	29 Nov 21	GH
---	---	---	---
---	---	---	---
---	---	---	---
---	---	---	---
---	---	---	---
---	---	---	---

PO Box 58142, Botany, Auckland, 2163
 Tel: 09-274 0316
 Fax: 09-272 7485
 email: technicalservices@hynds.co.nz



©2021 HYNDS PIPE SYSTEMS LTD
 This drawing is the property of Hynds Pipe Systems Limited. Not to be disclosed to any other person without permission from Hynds Pipe Systems Limited. It is submitted for use only in connection with proposals and contracts of Hynds Pipe Systems Limited upon the express condition that it is not to be reproduced or copied in any form. Data to be used only with reference to products manufactured and supplied by Hynds Pipe Systems Limited.

ISO 9001 CERTIFIED MANAGEMENT SYSTEM

PROJECT DESCRIPTION:

Auckland Transport
 Soakhole Manholes

SERVICE DETAIL:

Soakhole Pinnacle Manholes
 Ø1200, Ø1500 & Ø1800
 2400mm High Riser shown
 General Arrangement

REFERENCE/QUOTE NUMBER:	27453	
DRAWN: GH	DESIGN: -	CHECKED: -
SIGNATURE:	SIGNATURE:	SIGNATURE:
SCALE: 1:25	Note: Do not scale drawing if in doubt ASK!!!	DATE: 1-Nov-24
PAPER SIZE: A3		
DRAWING NUMBER: T8253 1	SHEET NUMBER: 1 of --	REVISION NUMBER: A