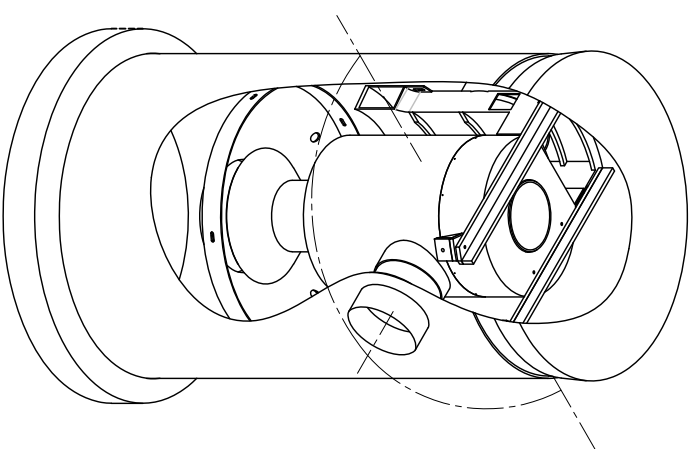


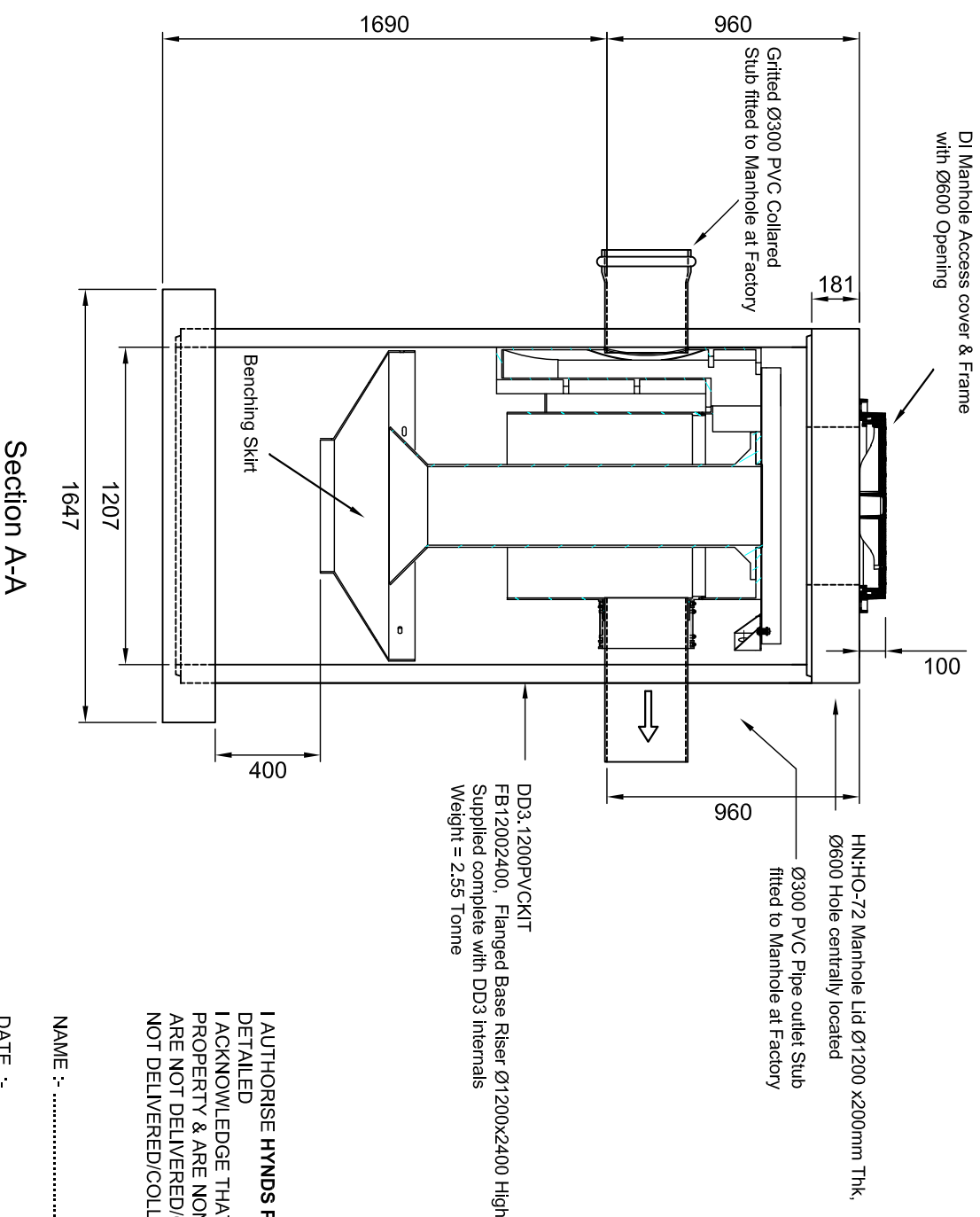
- NOTE:**
- Varied depths can be achieved by placement of additional riser sections or Lid adjustment Rings on top of the standard unit shown.
  - The Outlet Pipe can be positioned at any angle between 90° and 270° to meet site requirements  
Supplied in default position of 180° unless specified below

**OUTLET ORIENTATION**

Please provide required outlet angle (degrees)



**Isometric Detail**



DI Manhole Access cover & Frame with Ø600 Opening

HN:HO-72 Manhole Lid Ø1200 x200mm Thk, Ø600 Hole centrally located

Ø300 PVC Pipe outlet Stub fitted to Manhole at Factory

DD3.1200PVCKIT  
FB12002400, Flanged Base Riser Ø1200x2400 High  
Supplied complete with DD3 Internals  
Weight = 2.55 Tonne

I AUTHORISE **HYNDS PIPE SYSTEMS LTD** TO PROCEED WITH THE MANUFACTURING OF THIS PIPE SPECIAL AS DETAILED

I ACKNOWLEDGE THAT ANY SPECIALS, ONCE MANUFACTURED, ARE DEEMED TO BE MY (CONTRACTOR'S) PROPERTY & ARE NON REFUNDABLE. STORAGE & HANDLING FEES WILL BE INCURRED FOR PRODUCTS THAT ARE NOT DELIVERED/COLLECTED WITHIN 1 MONTH OF THE DATE AGREED AT THE TIME OF ORDER. PRODUCT NOT DELIVERED/COLLECTED WITHIN 3 MONTHS OF THE DATE AGREED MAYBE DESTROYED AT MY EXPENSE.

NAME :- .....

DATE :- .....

SIGNATURE :- .....

**NOTES:**

MATERIALS	
VOL (m <sup>3</sup> /unit) =	-
WT (ton/unit) =	As Noted
CODE =	DD3.1200PVCKIT

REV #	REVISION DESCRIPTION:	DATE:	DRAWN:
A	Issued For Approval	27 Jan 2020	GH
1	Issued For Construction	20 Feb 2020	GH

PO Box 58142, Botany, Auckland, 2163  
Tel: 09-274 0316  
Fax: 09-272 7485  
email: [technicalservices@hynnds.co.nz](mailto:technicalservices@hynnds.co.nz)



©2020 HYNDS PIPE SYSTEMS LTD  
This drawing is the property of Hynnds Pipe Systems Limited. Not to be disclosed to any other person without permission from Hynnds Pipe Systems Limited. It is submitted for use only in connection with proposals and contracts of Hynnds Pipe Systems Limited upon the express condition that it is not to be reproduced or copied in any form. Data to be used only with reference to products manufactured and supplied by Hynnds Pipe Systems Limited.

**ISO 9001 CERTIFIED MANAGEMENT SYSTEM**

PROJECT DESCRIPTION:  
**Hynnds Pipe Systems**  
 Downstream Defender DD3  
 Spun Manhole  
 General Detail

SERVICE DETAIL:  
 Downstream Defender (South Island)  
 DD3 FB Ø1200x2400mm High  
 PVC Pipe - Spun Manhole Type  
 General Arrangement (South Island)

REFERENCE/QUOTE NUMBER: (Tech Ref No.)

DRAWN: GH	DESIGN: GH	CHECKED: -
SIGNATURE:	SIGNATURE:	SIGNATURE:

SCALE: N.T.S  
 PAPER SIZE: A3  
 Note: Do not scale drawing if in doubt **ASK!!!**  
 DATE: 14-Feb-20

DRAWING NUMBER: GA	SHEET NUMBER: SI	SHEET NUMBER: SI	of: --	REVISION NUMBER: 1
--------------------	------------------	------------------	--------	--------------------