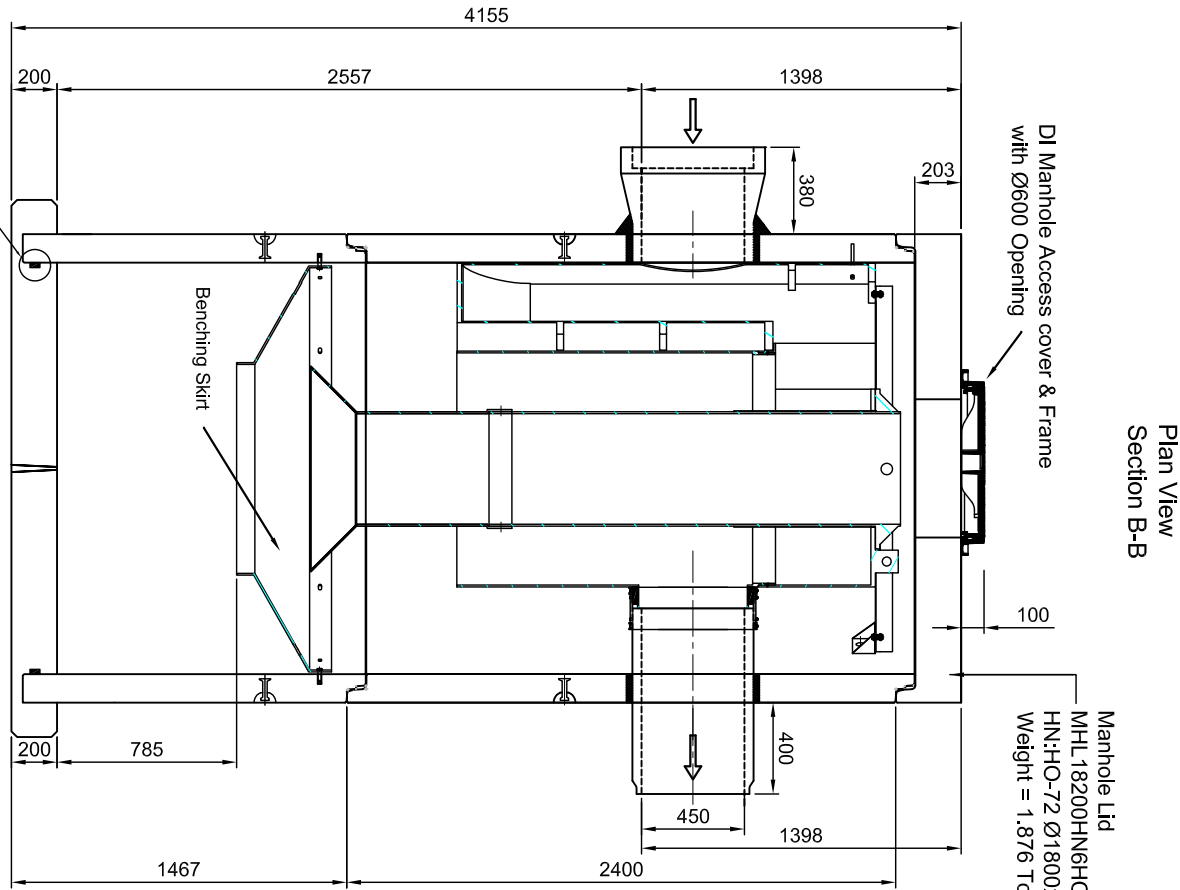


- NOTE:**
1. Varied depths can be achieved by placement of additional riser sections or Lid adjustment Rings on top of the standard unit shown.
 2. The Outlet Pipe can be positioned at any angle between 90° and 270° to meet site requirements
Supplied in default position of 180° unless specified below

OUTLET ORIENTATION

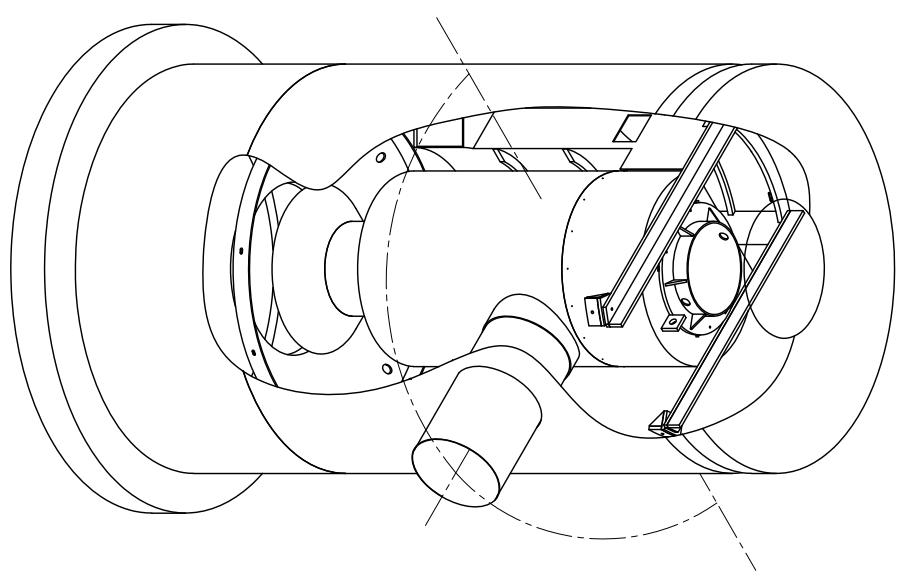
Please provide required outlet angle (degrees)



Manhole Lid
MHL18200HN6HCSW
HN:HO-72 Ø1800x200 thk Ø605 Hole centrally located
Weight = 1,876 Tonne

Pinnacle Riser Ø1800x2400 High
Supplied complete with DD3 Internals
and Pipe starters
Weight = 4,710 Tonne

Flanged Base Riser Ø1800x1500 High
Supplied complete with DD3 Banching Skirt
Weight = 5,112 Tonne



Isometric Detail

I AUTHORISE **HYNDS PIPE SYSTEMS LTD** TO PROCEED WITH THE MANUFACTURING OF THIS PIPE SPECIAL AS DETAILED
I ACKNOWLEDGE THAT ANY SPECIALS, ONCE MANUFACTURED, ARE DEEMED TO BE MY (CONTRACTOR'S) PROPERTY & ARE NON REFUNDABLE. STORAGE & HANDLING FEES WILL BE INCURRED FOR PRODUCTS THAT ARE NOT DELIVERED/COLLECTED WITHIN 1 MONTH OF THE DATE AGREED AT THE TIME OF ORDER. PRODUCT NOT DELIVERED/COLLECTED WITHIN 3 MONTHS OF THE DATE AGREED MAYBE DESTROYED AT MY EXPENSE.

NAME :-
DATE :-

SIGNATURE :-

- NOTES:**
1. Design Load: HD60 Vehicle Load
 2. Consult Engineer where exposure classification C or U is required (Saltwater, Tidal / Splash Zone or other aggressive environment)

MATERIALS

VOL (m ³ /unit) =	
WT (ton/unit) =	Refer Drawing
CODE =	DD3.1800KIT

REVISIONS

REV #	REVISION DESCRIPTION:	DATE:	DRAWN:
1	Issued For Approval	20/12/19	GH
1	Issued For Construction	28 Feb 2020	GH
2	Flanged Base Detail Updated	23rd April 2020	GH
----	----	----	----
----	----	----	----

PO Box 58142, Botany, Auckland, 2163
Tel: 09-274 0316
Fax: 09-272 7485
email: technicalservices@hynnds.co.nz



©2020 HYNDS PIPE SYSTEMS LTD
This drawing is the property of Hynds Pipe Systems Limited. Not to be disclosed to any other person without permission from Hynds Pipe Systems Limited. It is submitted for use only in connection with proposals and contracts of Hynds Pipe Systems Limited upon the express condition that it is not to be reproduced or copied in any form. Data to be used only with reference to products manufactured and supplied by Hynds Pipe Systems Limited.

ISO 9001 CERTIFIED MANAGEMENT SYSTEM

PROJECT DESCRIPTION:
Hynds Pipe Systems
Down Stream Defender DD3
Pinnacle Manhole Version
General Layout Detail

SERVICE DETAIL:
Downstream Defender
DD3 1800

General Arrangement - Site layout

REFERENCE/QUOTE NUMBER:	----
-------------------------	------

DRAWN: GH	DESIGN: GH	CHECKED: ----
SIGNATURE:	SIGNATURE:	SIGNATURE:

SCALE: N.T.S
Note: Do not scale drawing
PAPER SIZE: A3
if in doubt **ASK!!!**

DRAWING NUMBER: T7481 NI	SHEET NUMBER: NI	of	--	REVISION NUMBER: 2
--------------------------	------------------	----	----	--------------------