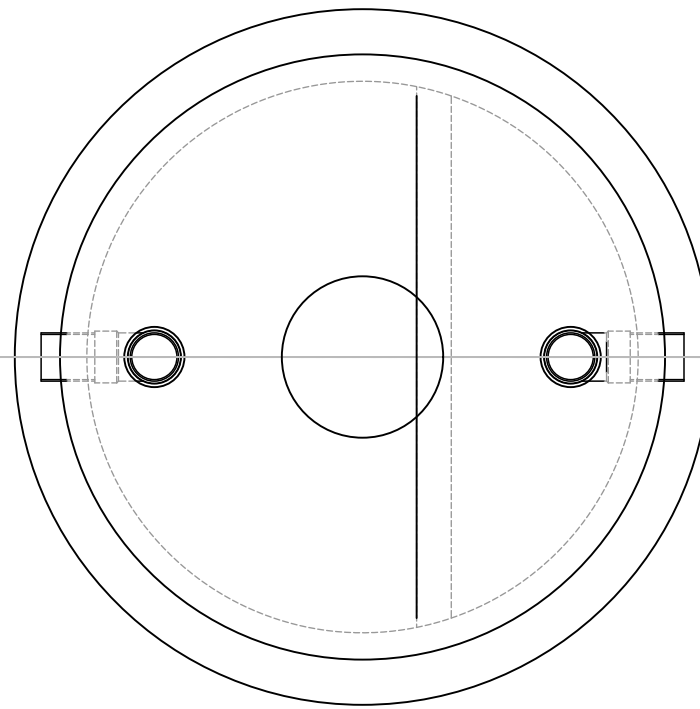
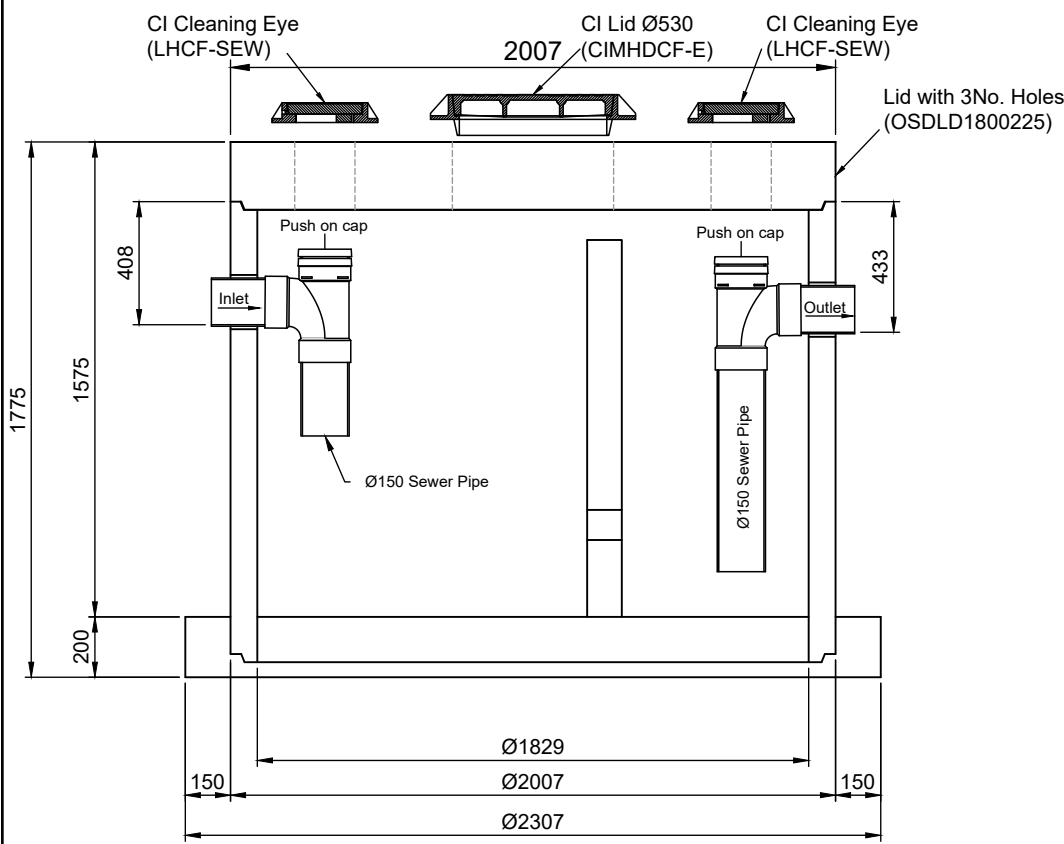


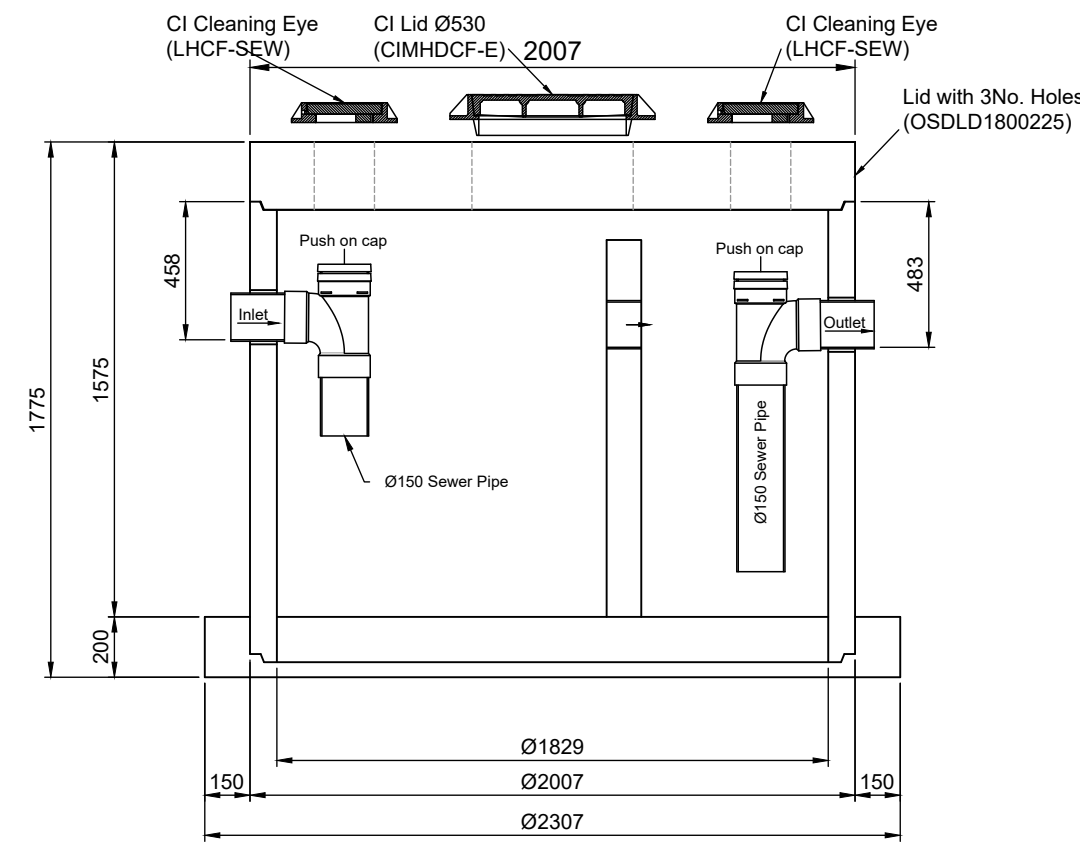
Plan - Chamber 1
Scale 1:25
Code: OGS4-18001500



Plan - Chamber 2
Scale 1:25
Code: OGS5-18001500 (No Filter)



A Section - Chamber 1
1 Scale 1:25
Code: OGS4-18001500



A Section - Chamber 2
1 Scale 1:25
Code: OGS5-18001500 (No Filter)

NOTES:

MATERIALS

VOL (m³/unit) = -m³
WT (ton/unit) = - Tonnes
CODE = Refer to drawing.

REVISIONS

REV #	REVISION DESCRIPTION:	DATE:	DRAWN:
A	Issued For Approval	12 Sep 2019	Z.S
1	Issued For Construction	17 Sep 2019	Z.S
2	Bending Schedule	8 April 2021	S.P
3	Cleaning Eye Updated From LHFC To LHCF-SEW	17 Dec 24	GH
---	---	---	---
---	---	---	---
---	---	---	---

PO Box 58142, Botany, Auckland, 2163
Tel: 09-274 0316
Fax: 09-272 7485
email: technicalservices@hynds.co.nz



©2019 HYNDS PIPE SYSTEMS LTD
This drawing is the property of Hynds Pipe Systems Limited. Not to be disclosed to any other person without permission from Hynds Pipe Systems Limited. It is submitted for use only in connection with proposals and contracts of Hynds Pipe Systems Limited upon the express condition that it is not to be reproduced or copied in any form. Data to be used only with reference to products manufactured and supplied by Hynds Pipe Systems Limited.

ISO 9001 CERTIFIED MANAGEMENT SYSTEM

PROJECT DESCRIPTION:

Hynds Standard Drawing
-
Smart Chamber System
- Litres/ Second

SERVICE DETAIL:

Smart Chamber - Dual Tank Oil and Grit System - Ø1800mm Flanged Base
-
General Arrangement

REFERENCE/QUOTE NUMBER:	26026	
DRAWN: Z.S	DESIGN: R.S	CHECKED: R.S
SIGNATURE:	SIGNATURE:	SIGNATURE:
SCALE: As Shown	Note: Do not scale drawing if in doubt ASK!!!	DATE: 18-Dec-24
PAPER SIZE: A3		
DRAWING NUMBER: T7398- 1	SHEET NUMBER: 1 of 12	REVISION NUMBER: 2