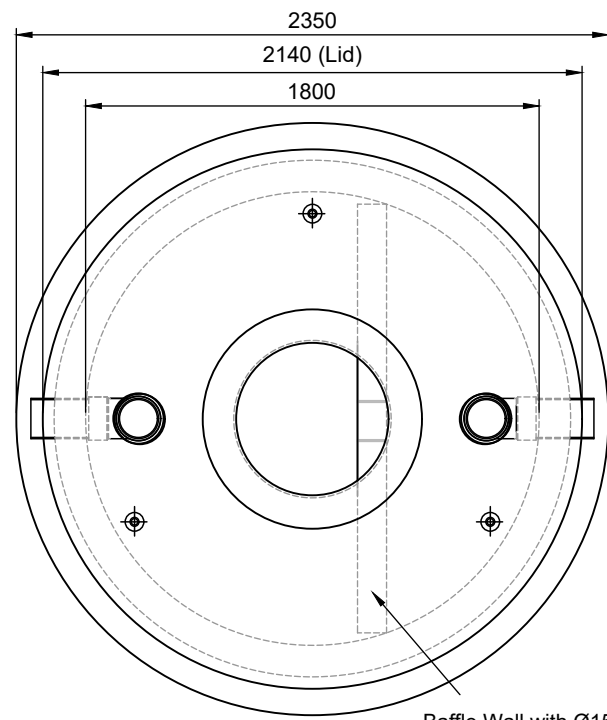


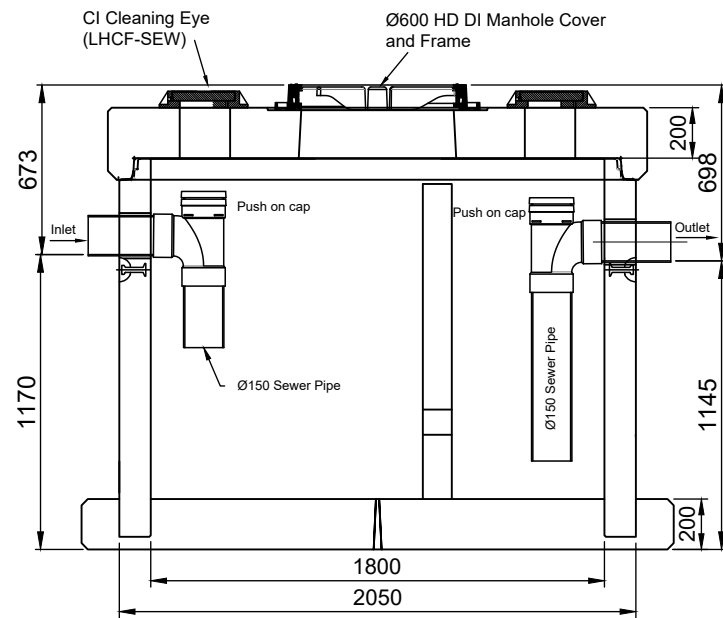
Plan View

Baffle Wall with 300x100 Opening near bottom

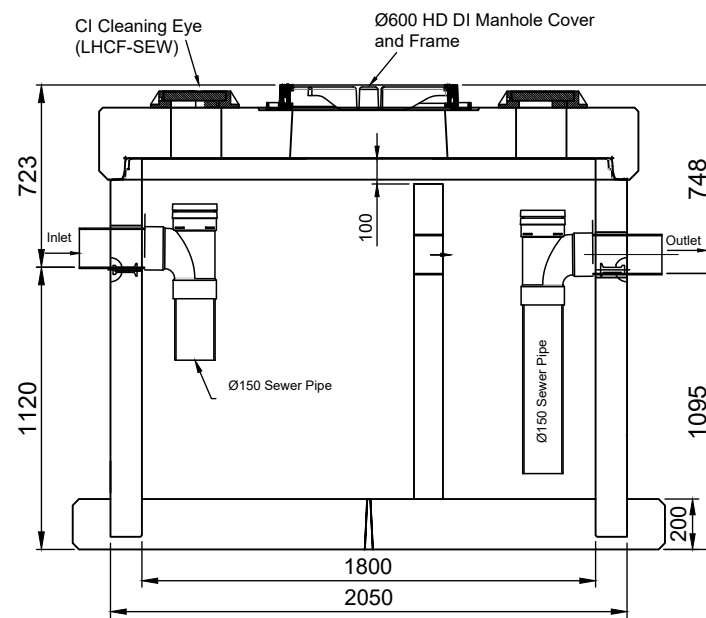


Plan View

Baffle Wall with Ø150mm Opening near Top



A Section - Chamber 1  
1 Scale 1:30  
Code: OGS4KIT



A Section - Chamber 2  
1 Scale 1:30  
Code: OGS5KIT (no Filter)

**NOTES:**

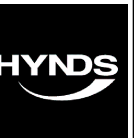
**MATERIALS**

VOL (m<sup>3</sup>/unit) = -m<sup>3</sup>  
 WT (ton/unit) = - Tonnes  
 CODE = Refer to drawing.

**REVISIONS**

REV #	REVISION DESCRIPTION:	DATE:	DRAWN:
1	Pinnacle Manhole Range added to drawing Set	09 July 2020	GH
2	Bending Schedule	13 May 2021	S.P
3	Cleaning Eye Updated From LHFC To LHCF-SEW	17 Dec 24	GH
---	---	---	---
---	---	---	---
---	---	---	---

PO Box 58142, Botany, Auckland, 2163  
 Tel: 09-274 0316  
 Fax: 09-272 7485  
 email: technicalservices@hynds.co.nz



© 2019 HYNDS PIPE SYSTEMS LTD  
 This drawing is the property of Hynds Pipe Systems Limited. Not to be disclosed to any other person without permission from Hynds Pipe Systems Limited. It is submitted for use only in connection with proposals and contracts of Hynds Pipe Systems Limited upon the express condition that it is not to be reproduced or copied in any form. Data to be used only with reference to products manufactured and supplied by Hynds Pipe Systems Limited.

**ISO 9001 CERTIFIED MANAGEMENT SYSTEM**

**PROJECT DESCRIPTION:**

Hynds Standard Drawing  
 -  
 Smart Chamber System - Pinnacle Type  
 - Litres/ Second

**SERVICE DETAIL:**

Smart Chamber - Dual Tank Oil and Grit  
 Pinnacle Ø1800mm Flanged Base  
 -  
 General Arrangement

REFERENCE/QUOTE NUMBER:	26026	
DRAWN: GH	DESIGN: R.S	CHECKED: -
SIGNATURE:	SIGNATURE:	SIGNATURE:
SCALE: As Shown	Note: Do not scale drawing if in doubt <b>ASK!!!</b>	DATE: <b>27-Feb-25</b>
PAPER SIZE: A3		
DRAWING NUMBER:	SHEET NUMBER:	REVISION NUMBER:
<b>T7398- 6</b>	<b>6 of 12</b>	<b>2</b>