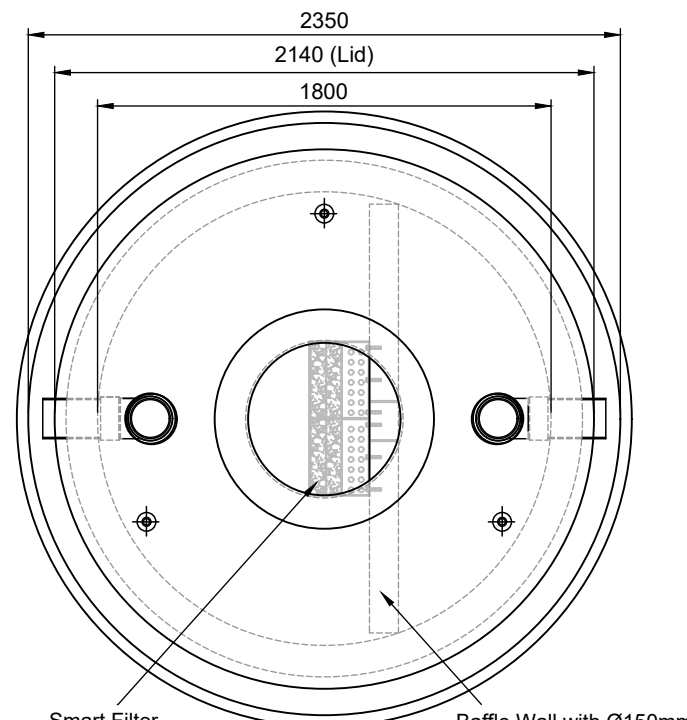


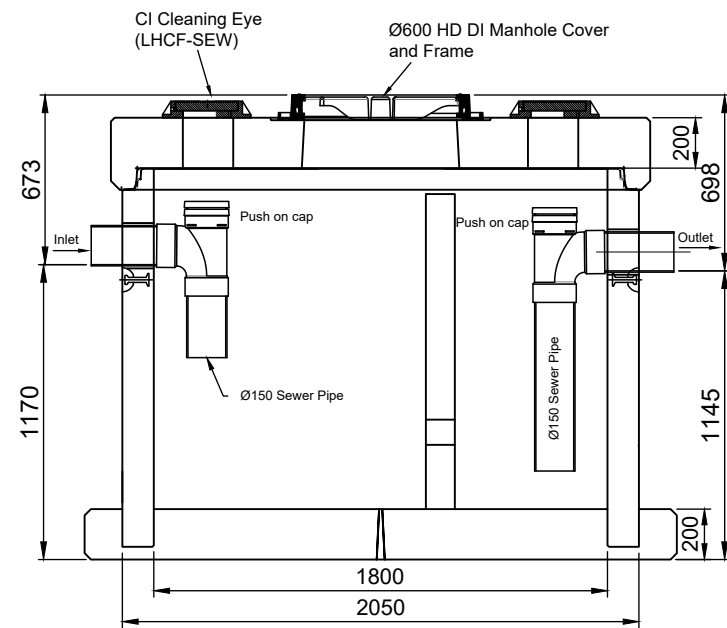
Plan View

Baffle Wall with 300x100 Opening near bottom

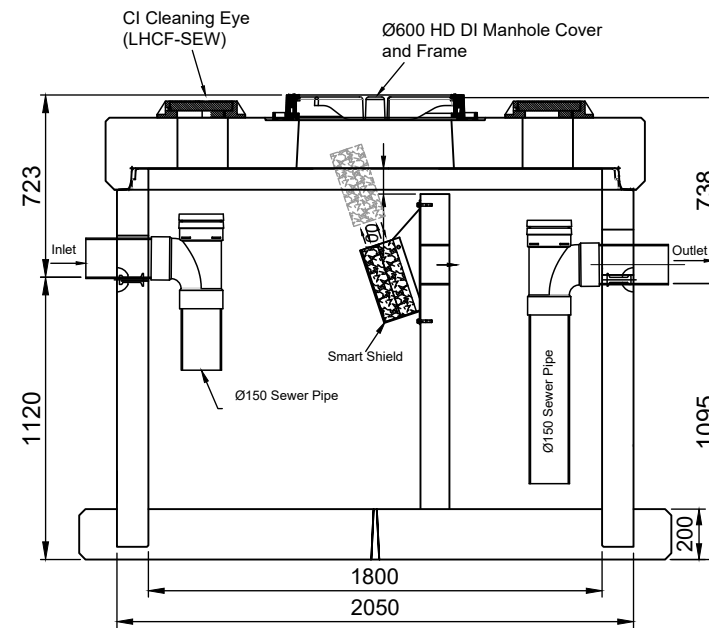


Plan View

Smart Filter mounted to Baffle  
Baffle Wall with Ø150mm Opening near Top



A Section - Chamber 1  
1 Scale 1:30  
Code: OGS4KIT



A Section - Chamber 2  
1 Scale 1:30  
Code: OGS6KIT (with Filter)

**NOTES:**

**MATERIALS**

VOL (m<sup>3</sup>/unit) = -m<sup>3</sup>  
WT (ton/unit) = - 7.472 Tonnes Each  
CODE = Refer to drawing.

**REVISIONS**

REV #	REVISION DESCRIPTION:	DATE:	DRAWN:
A	Issued For Approval	12 Sep 2019	Z.S
1	Issued For Construction	17 Sep 2019	Z.S
2	Bending Schedule	13 May 2021	S.P
3	Cleaning Eye Updated From LHFC To LHCF-SEW	17 Dec 24	GH
---	---	---	---
---	---	---	---
---	---	---	---

PO Box 58142, Botany, Auckland, 2163  
Tel: 09-274 0316  
Fax: 09-272 7485  
email: technicalservices@hynds.co.nz



© 2019 HYNDS PIPE SYSTEMS LTD  
This drawing is the property of Hynds Pipe Systems Limited. Not to be disclosed to any other person without permission from Hynds Pipe Systems Limited. It is submitted for use only in connection with proposals and contracts of Hynds Pipe Systems Limited upon the express condition that it is not to be reproduced or copied in any form. Data to be used only with reference to products manufactured and supplied by Hynds Pipe Systems Limited.

**ISO 9001 CERTIFIED MANAGEMENT SYSTEM**

**PROJECT DESCRIPTION:**

Hynds Standard Drawing  
-  
Smart Chamber System - Pinnacle Type  
- Litres/ Second

**SERVICE DETAIL:**

Smart Chamber - Dual Tank Oil and Grit  
Pinnacle Ø1800mm Flanged Base  
OGS4KIT & OGS6KIT  
General Arrangement

REFERENCE/QUOTE NUMBER:	26026	
DRAWN: GH	DESIGN: R.S	CHECKED: -
SIGNATURE:	SIGNATURE:	SIGNATURE:
SCALE: As Shown	Note: Do not scale drawing if in doubt <b>ASK!!!</b>	DATE: <b>27-Feb-25</b>
PAPER SIZE: A3		
DRAWING NUMBER:	SHEET NUMBER:	REVISION NUMBER:
<b>T7398- 6</b>	<b>6 of 12</b>	<b>2</b>