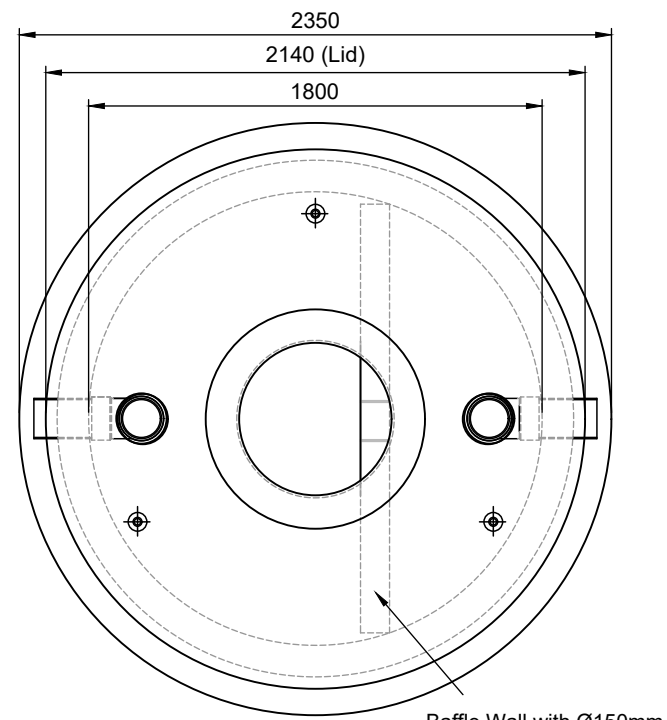


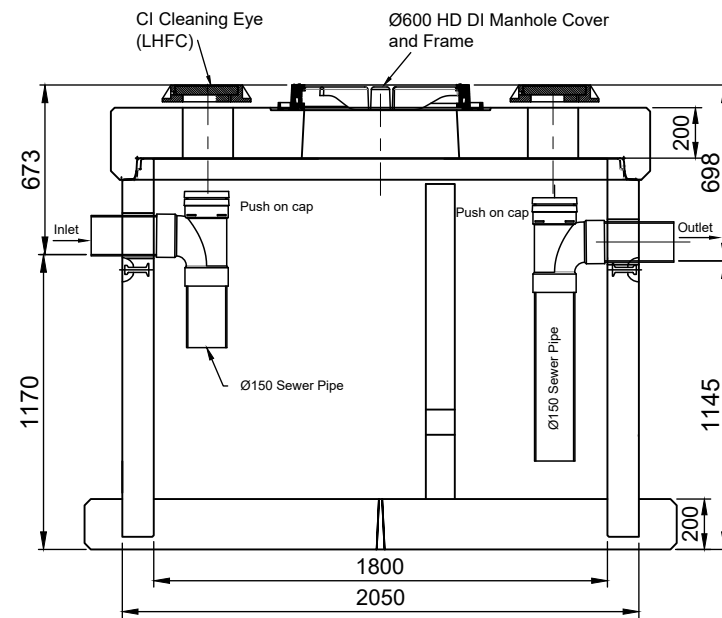
Plan View

Baffle Wall with 300x100 Opening near bottom

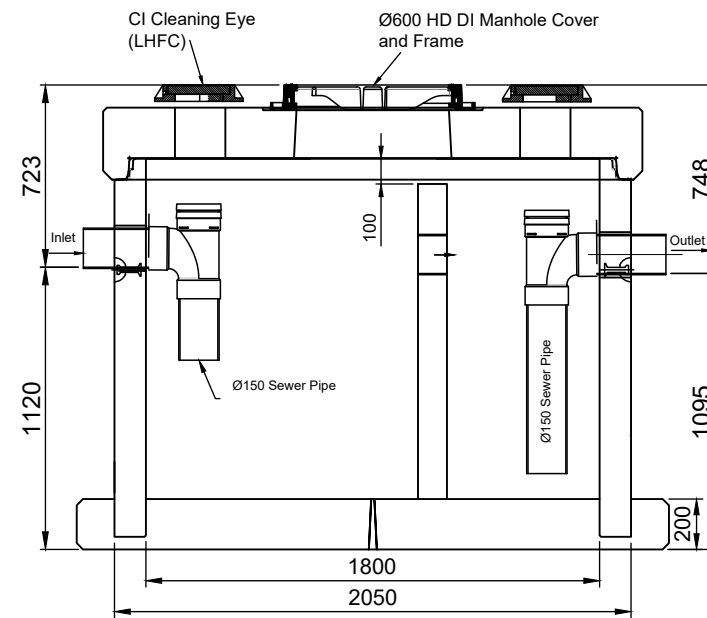


Plan View

Baffle Wall with Ø150mm Opening near Top



A 1 Section - Chamber 1
Scale 1:30
Code: OGS4KIT



A 1 Section - Chamber 2
Scale 1:30
Code: OGS5KIT (no Filter)

NOTES:

MATERIALS

VOL (m³/unit) = -m³
 WT (ton/unit) = - 7.427 Tonnes Each
 CODE = Refer to drawing.

REVISIONS

REV #	REVISION DESCRIPTION:	DATE:	DRAWN:
1	Pinnacle Manhole Range added to drawing Set	09 July 2020	GH
2	Bending Schedule	13 May 2021	S.P
---	---	---	---
---	---	---	---
---	---	---	---
---	---	---	---

PO Box 58142, Botany, Auckland, 2163
 Tel: 09-274 0316
 Fax: 09-272 7485
 email: technicalservices@hynds.co.nz



© 2019 HYNDS PIPE SYSTEMS LTD
 This drawing is the property of Hynds Pipe Systems Limited. Not to be disclosed to any other person without permission from Hynds Pipe Systems Limited. It is submitted for use only in connection with proposals and contracts of Hynds Pipe Systems Limited upon the express condition that it is not to be reproduced or copied in any form. Data to be used only with reference to products manufactured and supplied by Hynds Pipe Systems Limited.

ISO 9001 CERTIFIED MANAGEMENT SYSTEM

PROJECT DESCRIPTION:

Hynds Standard Drawing
 -
 Smart Chamber System - Pinnacle Type
 - Litres/ Second

SERVICE DETAIL:

Smart Chamber - Dual Tank Oil and Grit
 Pinnacle Ø1800mm Flanged Base
 OGS4KIT & OGS5KIT
 General Arrangement

REFERENCE/QUOTE NUMBER:	26026	
DRAWN: GH	DESIGN: R.S	CHECKED: -
SIGNATURE:	SIGNATURE:	SIGNATURE:
SCALE: As Shown	Note: Do not scale drawing if in doubt ASK!!!	DATE: 24-Sep-24
PAPER SIZE: A3		
DRAWING NUMBER:	SHEET NUMBER:	REVISION NUMBER:
T7398- 6	6 of 12	2