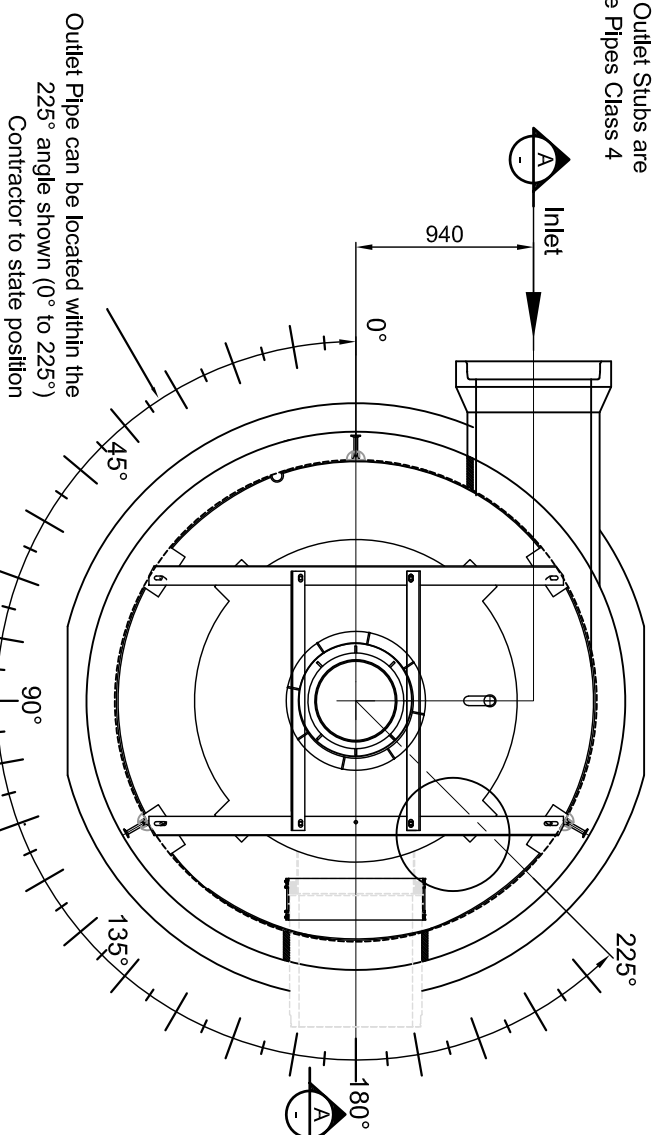


Plan View  
"Anti-clockwise" Flow

**Alternative configuration**  
(use only when Standard "Clockwise" flow does not suit site)



Plan View  
"Clockwise" Flow

**Standard Configuration**

**NOTE:**

1. Varied depths can be achieved by placement of a different or additional risers or Lid rings on top of detailed standard unit.
2. Lid Designed to HD60 Vehicle Loads
3. Suitable for Installation in B2 Exposure Classification Environment
4. Consult with Hynds where U or C Exposure Classification is required
5. Flow orientation - Clockwise  
Anti Clockwise

Please also cross out un-wanted option on Drawing

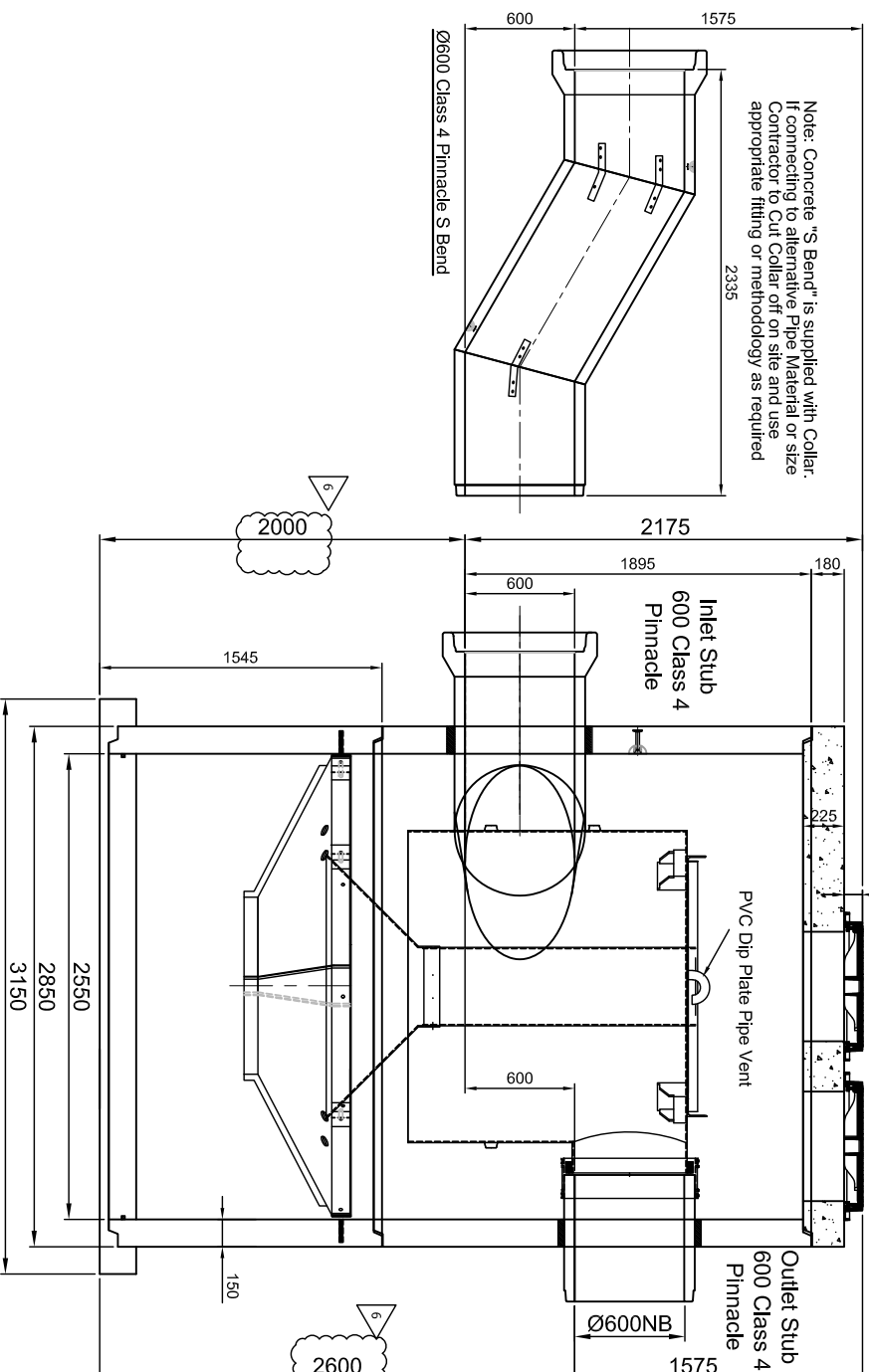
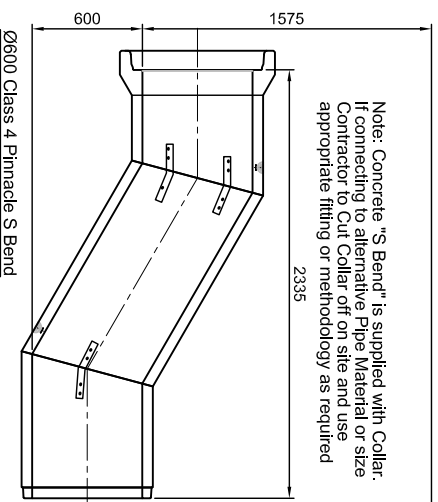
Outlet Pipe Orientation Position in Degrees  
Please also mark position on Drawing

I AUTHORISE HYNDS PIPE SYSTEMS LTD TO PROCEED WITH THE MANUFACTURING OF THE PRODUCT AS DETAILED ABOVE.  
I ACKNOWLEDGE THAT, ONCE MANUFACTURED, THEY ARE DEEMED TO BE MY (CONTRACTOR'S) PROPERTY & ARE NON-REFUNDABLE. STORAGE & HANDLING FEES WILL BE INCURRED FOR PRODUCTS THAT ARE NOT DELIVERED WITHIN 1 MONTH OF THE DATE AGREED AT THE TIME OF ORDER. PRODUCT NOT DELIVERED WITHIN 3 MONTHS OF THE DATE AGREED WILL BE DESTROYED AT MY EXPENSE.

NAME :- ..... SIGNATURE :- .....  
DATE :- .....

**DD2550KIT - Kit Components**

Item	Code	Weight
DD2550 - Base Kitted	DD2550BASEKIT	8,91 Tonnes
DD2550 - Mid Kitted	DD2550MIDKTD	8,00 Tonnes
DD2550 - Pinnacle 600 S Bend	DD2550SB	0,808 Tonnes
DD2550 - Lid (HD60)	LD25225HD6H2	3,21 Tonnes
DI Manhole Frame & Cover	2x DIMHMCFHS	0,058 Tonnes



Section  
Scale: N.T.S

**NOTES:**

1. Inlet & Outlet Pipe Stubs are Epoxied in level i.e 0 % gradient
2. If outlet Pipe is located between 0° & 20° a cast in situ reinforced concrete Corbel may be required, Consult with Hynds to confirm requirements.

**MATERIALS**

VOL (m<sup>3</sup>/unit) = N/A

WT (ton/unit) = Refer Table

CODE = Refer Table

**REVISIONS**

REV #	REVISION DESCRIPTION	DATE	DRAWN
2	Issued For Construction	07 April 2020	GH
3	Information updated	03 Dec 2020	GH
4	Added: Anticlockwise, Length Riser & Pipe Strap Details	23 Aug 2021	GH
5	Pipes Changed Pinnacle, Shear Band Admired	03 June 22	GH
6	Riser Heights Amended To Match T7406	19 Sept 2022	GH

PO Box 58142, Botany, Auckland, 2163

Tel: 09-274 0316

Fax: 09-272 7485

email: [technicalservices@hynds.co.nz](mailto:technicalservices@hynds.co.nz)



©2020 HYNDS PIPE SYSTEMS LTD  
This drawing is the property of Hynds Pipe Systems Limited. Not to be disclosed to any other person without permission from Hynds Pipe Systems Limited. It is submitted for use only in connection with proposals and contracts of Hynds Pipe Systems Limited upon the express condition that it is not to be reproduced or copied in any form. Data to be used only with reference to products manufactured and supplied by Hynds Pipe Systems Limited.

**ISO 9001 CERTIFIED MANAGEMENT SYSTEM**

**PROJECT DESCRIPTION:**

**Hynds Standard Drawing**

**Downstream Defender 2550**

**General Arrangement**

**SERVICE DETAIL:**

**Downstream Defender**

**DD 2550 c/w Ø600 CL 4 Pinnacle Stubs**

**Customer General Arrangement**

**REFERENCE/QUOTE NUMBER:**

DRAWN:	DESIGN:	CHECKED:
GH	GH	(Initials)
SIGNATURE:	SIGNATURE:	SIGNATURE:

SCALE: As Shown

PAPER SIZE: A3

DRAWING NUMBER: T2267 1

SHEET NUMBER: 1 of 6

REVISION NUMBER: 6