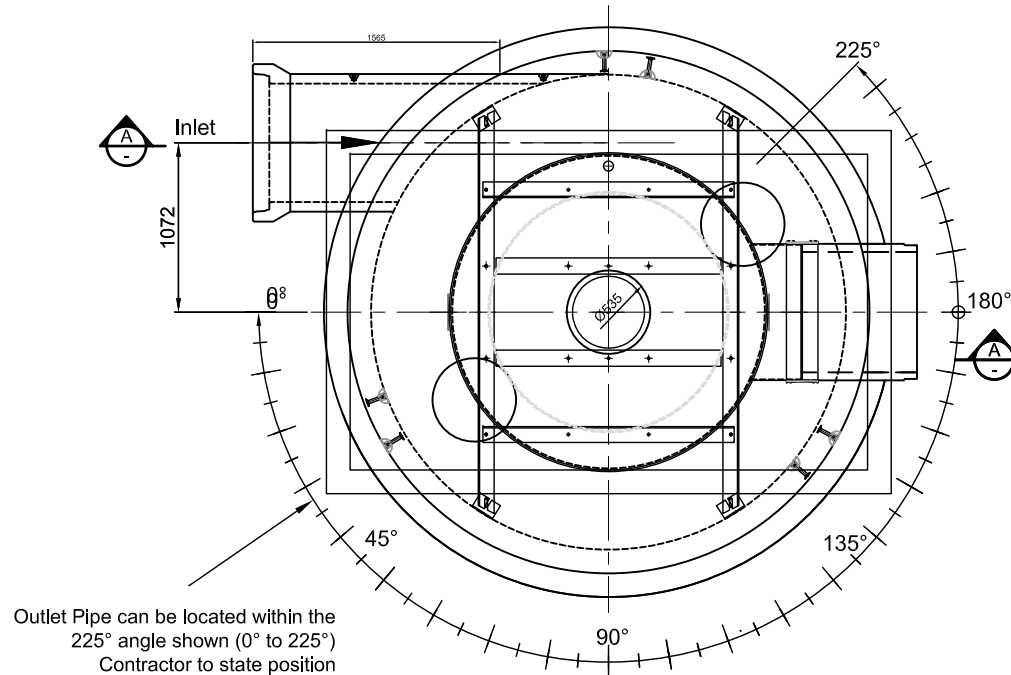


Outlet Pipe can be located within the 225° angle shown (0° to 225°)
Contractor to state position

Plan View
"Anti-clockwise" Flow
Alterative configuration
(use only when Standard "Clockwise" flow does not suit site)



Outlet Pipe can be located within the 225° angle shown (0° to 225°)
Contractor to state position

Plan View
"Clockwise" Flow
Standard Configuration

NOTE:

1. Varied depths can be achieved by placement of a different or additional risers or Lid rings on top of detailed standard unit.
2. Lid Designed to HD60 Vehicle Loads
3. Suitable for installation in B2 Exposure Classification Environment
4. Consult with Hynds wher U or C Exposure Classification is required

5. Flow orientation - Clockwise
- Anti Clockwise

Please also cross out un-wanted option on Drawing

5. Outlet Pipe Orientation Position in Degrees
- Please also mark position on Drawing

I AUTHORISE **HYNDS PIPE SYSTEMS LTD** TO PROCEED WITH THE MANUFACTURING OF THE PRODUCT AS DETAILED ABOVE.
I ACKNOWLEDGE THAT, ONCE MANUFACTURED, THEY ARE DEEMED TO BE MY (CONTRACTOR'S) PROPERTY & ARE NON REFUNDABLE. STORAGE & HANDLING FEES WILL BE INCURRED FOR PRODUCTS THAT ARE NOT DELIVERED WITHIN 1 MONTH OF THE DATE AGREED AT THE TIME OF ORDER. PRODUCT NOT DELIVERED WITHIN 3 MONTHS OF THE DATE AGREED WILL BE DESTROYED AT MY EXPENSE.

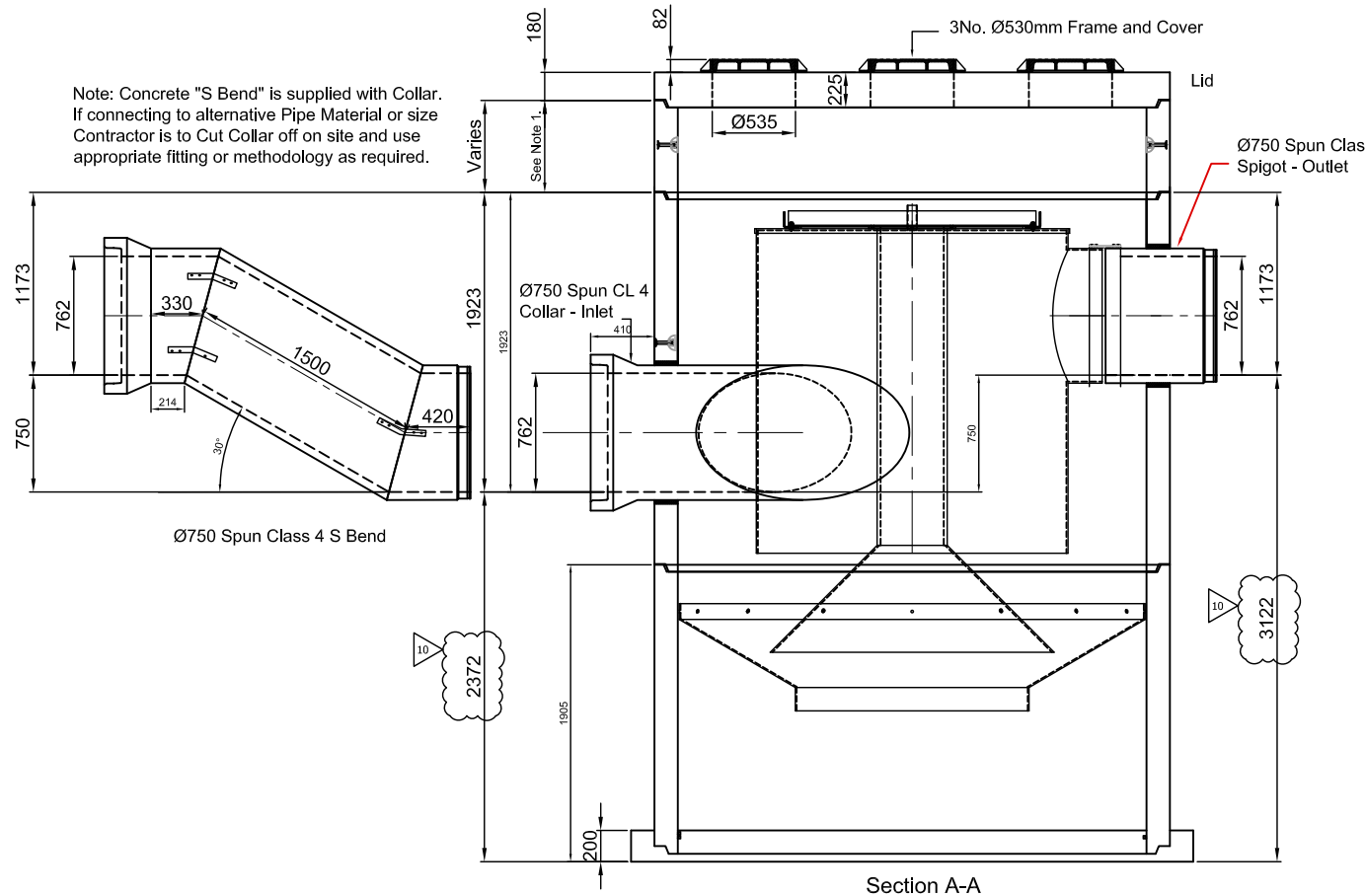
NAME :- SIGNATURE :-

DATE :-

Main Component Weights

Item	Code	Weight (each)
DD3000 - Based Riser	DD3000BKTDISI	12.30 Tonnes
DD3000 - Mid Kit Riser	DD3000MIDKTDSI	9.97 Tonnes
DD3000 - Lid	LD30225HD6H3	5.00 Tonnes
3x Frame & Cover	CIMHDCF	0.058 Tonnes
DD3000 - Spun Pipe S Bend	DD3000SBS	1.12 Tonnes

Note: Concrete "S Bend" is supplied with Collar.
If connecting to alternative Pipe Material or size Contractor is to Cut Collar off on site and use appropriate fitting or methodology as required.



NOTES:

MATERIALS

VOL (m³/unit) = -m³

WT (ton/unit) = Refer to Table on Drg. No. T2087-1

CODE = Refer to Table on Drg. No. T2087-1

REVISIONS

REV #:	REVISION DESCRIPTION:	DATE:	DRAWN:
10	Riser Heights amended from ETD to POD heights	19 Aug 2022	GH

PO Box 58142, Botany, Auckland, 2163
Tel: 09-274 0316
Fax: 09-272 7485
email: technicalservices@hynds.co.nz



©2019 HYNDS PIPE SYSTEMS LTD
This drawing is the property of Hynds Pipe Systems Limited. Not to be disclosed to any other person without permission from Hynds Pipe Systems Limited. It is submitted for use only in connection with proposals and contracts of Hynds Pipe Systems Limited upon the express condition that it is not to be reproduced or copied in any form. Data to be used only with reference to products manufactured and supplied by Hynds Pipe Systems Limited.

ISO 9001 CERTIFIED MANAGEMENT SYSTEM

PROJECT DESCRIPTION:

Hynds Pipe Systems

Hynds Standard Drawing

SERVICE DETAIL:

Downstream Defender Ø3000mm
South Island Version for Ø750 Spun Pipe

General Arrangement

REFERENCE/QUOTE NUMBER: -

DRAWN: G.H DESIGN: D.A/ H.J CHECKED: ---
SIGNATURE: SIGNATURE: SIGNATURE:

SCALE: As Shown Note: Do not scale drawing if in doubt **ASK!!!** DATE: 29-Aug-22
PAPER SIZE: A3

DRAWING NUMBER: T2087- 1 SHEET NUMBER: 1 of -- REVISION NUMBER: 10